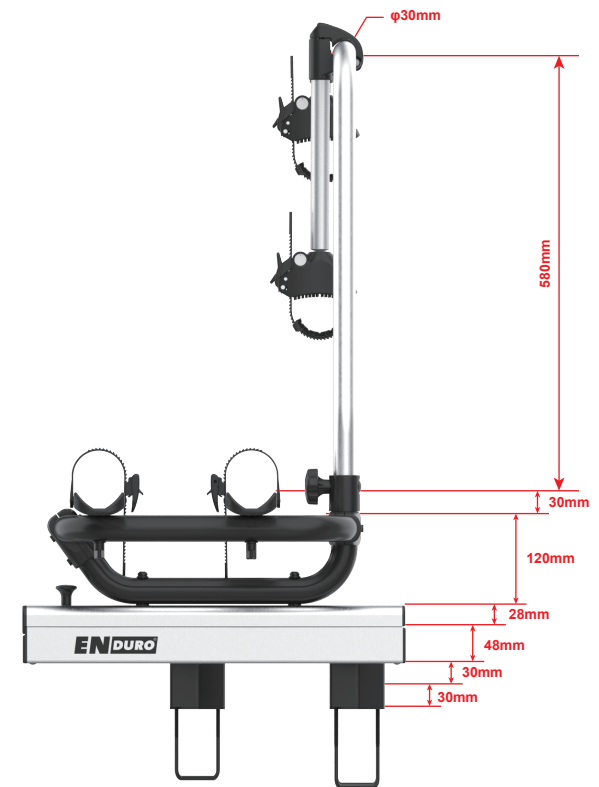
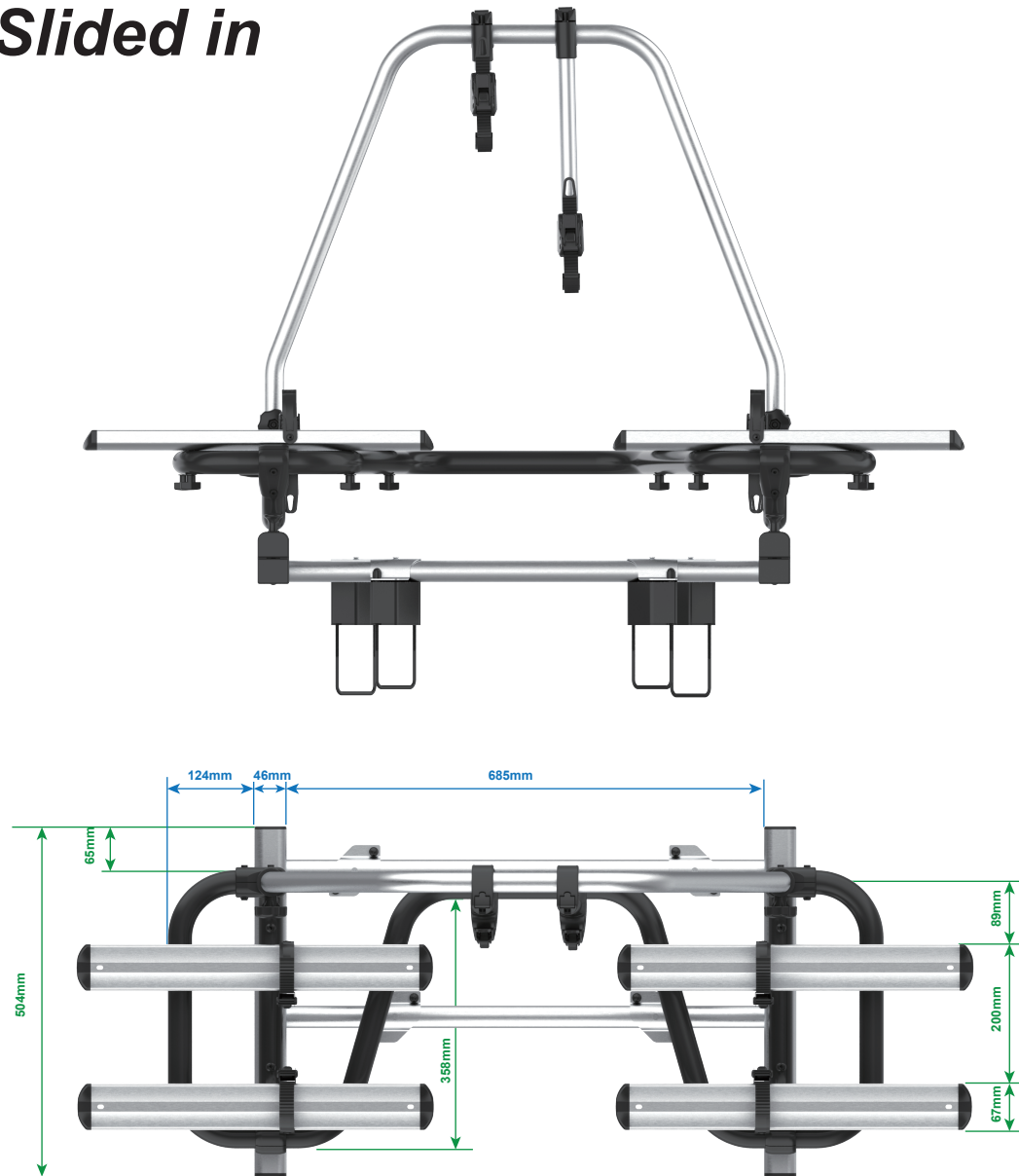


Dimension of BC260

Slided in



Dimension of BC260

Slided out

